

All rights reserved by **CNH Industrial**.

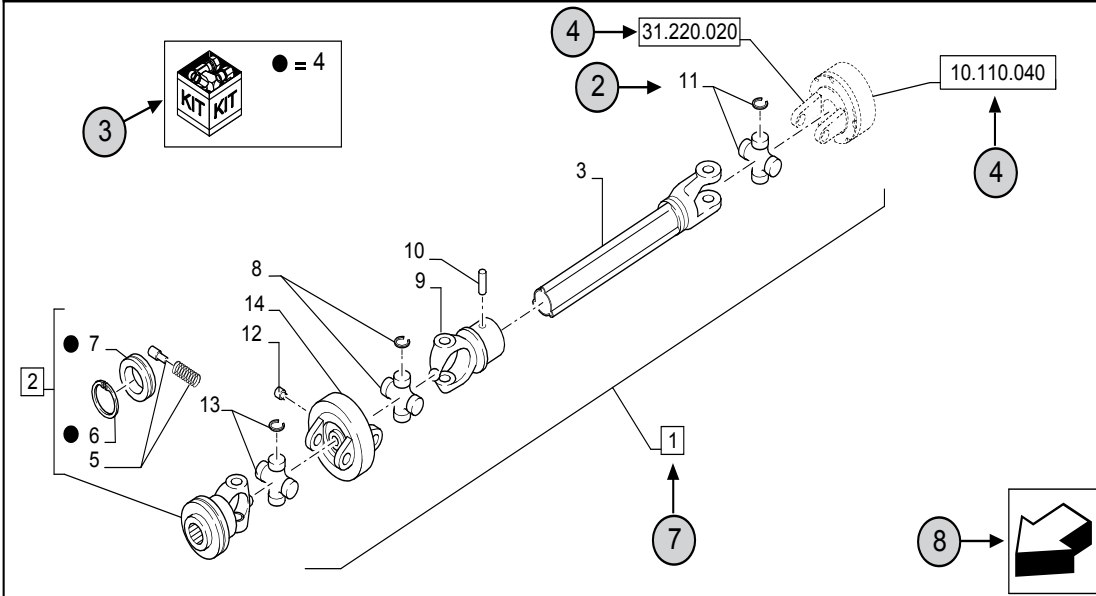
The information contained in this catalogue is intended to be of a general nature only. **CNH Industrial** may at any time and from time to time, for technical or other necessary reasons, modify any of the details or specifications of the product described in this catalogue.

To be sure of getting accurate, detailed and up-to-date information, an intending buyer should consult his nearest **CNH Industrial** dealer or distributor.

Single item numeration method used in this catalogue may not be used without written consent from **CNH Industrial**

31.220.010	01	p1	10/2014
------------	----	----	---------

VAR - 123782, 789101,987654 - PTO - D650



STANDARD ← (6)


(23)	(9)	(10)	31.220.010	01	p1	10/2014
------	-----	------	------------	----	----	---------

VAR - 123782, 789101,987654 - PTO - D650

(11) (12) (13) (14)

REF	FN	PART NUMBER	YR/SN	QTY	DESCRIPTION
1	1	86529340	(20)	1	SHAFT PTO, Incl 2 - 11
2	(15)	84014007		1	YOKE, Incl 4 - 7 ← (7)
3	(16)	NSS		1	NOT SERVICED SEPARATELY, SHAFT, 350mm, Incl in 1
4		84004292		1	KIT, Seal Kit, Incl 6, 7 (17)
4		{84058743}		1	KIT, Seal Kit, Incl 6, 7
(2)	(18)	(19)		(21)	(22)
		1 = FOR ITALY ONLY ← (5)			

MODELS ← (1)

- 1 Model Number and Model Description
- 2 Reference - Figure call-out of the part number.
- 3 Parts supplied in repair kits per symbol reference.
- 4 31.220.020 Part illustrated on the **Page** or in the **Figure** indicated, or calls for **Variations** or **Details**. Indicates components shown in detail elsewhere in the catalogue under the figure number shown.
- 5 Footnote references
- 6 Figure notes
- 7 1 2 Includes item(s) ..... (See Description within partlist).
- 8 Orientation. (Arrow indicates front of the machine). 
- 9 Figure description.
- 10 General information of the figure.
- 11 Figure title number that aligns with the SRT. Standard Repair Time.
- 12 **Sequence** code within the assembly.
- 13 Page number within the sequence code.
- 14 **Date** of printing or updating of page (month-year).
- 15 **Note** - Relating to the Part Number. There is a key to symbols and abbreviations at the bottom of the text page.
- 16 Non-serviced parts.
- 17 Further description of the part to help confirm identification.
- 18 Not available as service part.
- 19 Part Number.
- 20 To be defined.
- 21 Total **Quantity** of the Part referred to in the page.  
The quantity can be replaced by the following indications:  
**AR** = quantity as requested.
- 22 Part **Description**.
- 23 Variant Codes

---

## TABLE OF CONTENTS

---

0.0040		OPTIONAL EQUIPMENT
0.0040/01		OPTIONAL EQUIPMENT
0.0040/02		OPTIONAL EQUIPMENT
0.0040/03		OPTIONAL EQUIPMENT
0.0042		SERVICE PARTS CATALOGUE AND BINDER
0.01.1	01	INITIAL STOCKING LIST (ISL) FOR N.A. ONLY
0.01.1	02	INITIAL STOCKING LIST (LIST A)
0.01.5		FILTERS
0.05.4	01	MAINTENANCE PARTS - FILTERS
0.05.4	02	MAINTENANCE PARTS - STARTER MOTOR, ALTERNATOR, BELTS
0.05.4	03	MAINTENANCE PARTS - FUSES
0.05.4	04	MAINTENANCE PARTS - BULBS
0.05.4	04	MAINTENANCE PARTS - BULBS
0.05.4	05	MAINTENANCE PARTS - PUMPS
D.I.A.		DEALER INSTALLED ACCESSORY KITS INDEX
MAIN		MAIN SECTIONS
SEC. 02		ENGINE EQUIPMENT
SEC. 03		TRANSMISSION
SEC. 04		FRONT AXLE
SEC. 05		REAR AXLE
SEC. 06		ELECTRICAL
SEC. 07		HYDRAULICS
SEC. 08		SHEET METAL
SEC. 09		LINKAGE
SEC. 10	01	DRIVER'S COMPARTMENT
SEC. 10	02	DRIVER'S COMPARTMENT
SEC. 11	01	TRACTION
SEC. 11	02	TRACTION
SEC. 13		DECALS
0.02.1/03		ENGINE
0.34.7		PULLEY, FAN AND BELT
0.34.7/01		FAN WITH VISCOSTATIC JOINT (VAR.330009-330010 / 743500)
0.36.0/01		STARTER MOTOR
0.40.0/01		ENGINE ALTERNATOR
0.88.0/01	01	AIR CONDITIONING - BELTS AND COMPRESSOR (VAR.330641 / 743539; VAR.332641 / 743540)
0.88.0/01	02	AIR CONDITIONING - PIPES AND RELATED PARTS (VAR.330641 / 743539; VAR.332641 / 743540)

---

## TABLE OF CONTENTS

---

0.88.0/01	03	AIR CONDITIONING - FILTER AND PIPES (VAR.330641 / 743539; VAR.332641 / 743540)
0.88.0/02	01	AIR CONDITIONING WITH SAFETY VALVE - BELTS AND COMPRESSOR (VAR.331641 / 743539; VAR.333641 / 743540)
0.88.0/02	02	AIR CONDITIONING WITH SAFETY VALVE - PIPES AND RELATED PARTS (VAR.331641 / 743539; VAR.333641 / 743540)
0.88.0/02	03	AIR CONDITIONING WITH SAFETY VALVE - FILTER AND PIPES (VAR.331641 / 743539; VAR.333641 / 743540)
0.88.0/05	01	KIT CLIMATE CONTROL FOR ROPS - BELTS AND COMPRESSOR (VAR.330633)
0.88.0/05	02	KIT CLIMATE CONTROL FOR ROPS - PIPES AND RELATED PARTS (VAR.330633)
1.10.0		THROTTLE CONTROL LINKAGE
1.14.0	01	FRONT FUEL TANK AND PIPES
1.14.0	02	SIDE FUEL TANK
1.14.0	03	FUEL LINES
1.14.0	04	FUEL LINES
1.14.0/01	01	SMALL FUEL TANK - SIDE FUEL TANK (VAR.331143-333143 / 743501)
1.14.0/01	03	SMALL FUEL TANK - FUEL LINES (VAR.331143-333143 / 743501)
1.14.7	01	SIDE FUEL TANK SUPPORTS AND FASTENING STRIPS
1.14.7/01		SMALL FUEL TANK - SIDE FUEL TANK SUPPORTS AND FASTENING STRIPS (VAR.331143-333143 / 743501)
1.15.1/01		HORIZONTAL EXHAUST AND SILENCER
1.15.1/03		VERTICAL EXHAUST (VAR.330151)
1.15.1/05		VERTICAL EXHAUST WITH GUARD (VAR.331151)
1.15.1/07		HORIZONTAL EXHAUST WITH GUARD SHIELD (VAR.332150)
1.17.0/01	01	COOLING TANK AND RELATED PARTS
1.17.0/01	02	RADIATOR AND PIPES
1.17.0/01	03	RADIATOR PROTECTIVE SEALS AND CONVEYOR
1.17.0/02		AIR CONDITIONING UNIT - CONDENSER (VAR.330641-331641 / 743539; VAR.332641-333641 / 743540)
1.17.0/03		KIT CLIMATE CONTROL FOR ROPS - CONDENSER (VAR.330633)
1.19.1/ A		DRY AIR CLEANER - BREAKDOWN
1.19.1/01	01	INTERCOOLER AND RELATED PARTS
1.19.1/01	02	INTERCOOLER HOSES
1.19.1/01	03	DRY AIR CLEANER & RELATED PARTS
1.21.0	01	CLUTCH BOX AND REAR TRANSMISSION BOX
1.21.0	02	LOWER COVER AND SIDE COVERS FOR REAR TRANSMISSION BOX
1.21.0	03	REAR TRANSMISSION BOX CAPS AND COVERS
1.21.1	01	SUPERSTEER FRONT AXLE - SUPPORT
1.21.1	02	SUPERSTEER FRONT AXLE - CONNECTING JOINT TO MAIN TRANSMISSION SHAFT
1.21.1	03	SUPERSTEER FRONT AXLE - FRONT 4WD AXLE BOOM - C7213
1.21.1	03A	SUPERSTEER FRONT AXLE - FRONT 4WD AXLE BOOM - D7213

---

**TABLE OF CONTENTS**

---

1.21.1	04	<b>SUPERSTEER FRONT AXLE - TRANSVERSAL TIE-RODS</b>
1.21.1/01		<b>2WD FRONT AXLE - AXLE FASTENING FRONT SUPPORT (VAR.331581-332581 / 743515)</b>
1.25.0/01		<b>CLUTCH</b>
1.25.0/02		<b>POWER SHUTTLE - CLUTCH (VAR.330275-331275 / 743510; VAR.330278-332278 / 743509 ; VAR.330273)</b>
1.25.0/03		<b>CLUTCH AND COMPONENTS (STD + VAR.332157; VAR.332158/743508)</b>
1.25.0/04		<b>HI-LO CLUTCH (VAR. 332159-332160/743509; VAR.332163/330273; VAR.332162-332161/743510)</b>
1.26.2	01	<b>CLUTCH CONTROLS, CLUTCH FORK</b>
1.26.2	02	<b>CLUTCH CONTROLS, FLEXIBLE CONTROL</b>
1.26.5		<b>POWER TAKE-OFF CLUTCH CONTROL, CLUTCH FORK</b>
1.27.3	01	<b>4WD SUPERSTEER FRONT AXLE FOR HYDRAULIC TRANSMISSION - COVER AND CAPS (VAR.331281-332281)</b>
1.27.3	02	<b>4WD SUPERSTEER FRONT AXLE FOR HYDRAULIC TRANSMISSION - SOLENOID VALVES (VAR.331281-332281)</b>
1.27.3	03	<b>4WD SUPERSTEER FRONT AXLE FOR HYDRAULIC TRANSMISSION - PIPES (VAR.331281-332281)</b>
1.27.3	04	<b>4WD SUPERSTEER FRONT AXLE FOR HYDRAULIC TRANSMISSION - UNIONS AND PIPES (VAR.331281-332281)</b>
1.27.3/ A		<b>ACCUMULATOR - BREAKDOWN</b>
1.27.3/01	01	<b>2WD STANDARD FRONT AXLE FOR HI-LO AND POWER SHUTTLE 32X16 - COVER AND CAPS (VAR.338401 / 743514)</b>
1.27.3/01	02	<b>2WD STANDARD FRONT AXLE FOR HI-LO AND POWER SHUTTLE 32X16 - SOLENOID VALVES (VAR.338401 / 743514)</b>
1.27.3/01	03	<b>2WD STANDARD FRONT AXLE FOR HI-LO AND POWER SHUTTLE 32X16 - PIPES (VAR.338401 / 743514)</b>
1.27.3/01	04	<b>2WD STANDARD FRONT AXLE FOR HI-LO AND POWER SHUTTLE 32X16 - UNIONS AND PIPES (VAR.338401 / 743514)</b>
1.27.7/01	01	<b>PUMP AND OIL COOLER - RADIATOR (VAR.335823-336823 / 743524; VAR.334823)</b>
1.27.7/01	02	<b>PUMP AND OIL COOLER - PIPES (VAR.335823-336823 / 743524; VAR.334823)</b>
1.28.1	01	<b>16X16 TRANSMISSION - DRIVE SHAFT AND GEARS</b>
1.28.1	02	<b>16X16 TRANSMISSION - DRIVE SHAFT AND GEARS</b>
1.28.1	03	<b>16X16 TRANSMISSION - DRIVE GEAR SHAFT</b>
1.28.1	04	<b>16X16 TRANSMISSION - REVERSER DRIVEN GEARS</b>
1.28.1	05	<b>16X16 TRANSMISSION - DRIVEN GEAR SHAFT</b>
1.28.1/01	01	<b>16X16 HYDR. TRANSMISSION WITH SYNCHRO GEARS AND POWER SHUTTLE - GEAR SHAFT (VAR.330278-332278 / 743509)</b>
1.28.1/01	02	<b>16X16 HYDR. TRANSMISS. WITH SYNCHRO GEARS AND POWER SHUTTLE - DRIVING GEAR SHAFT (VAR.330278-332278 / 743509)</b>
1.28.1/01	03	<b>16X16 HYDRAULIC TRANSM. WITH SYNCHRO GEARS AND POWER SHUTTLE - REVERSER GEAR (VAR.330278-332278 / 743509)</b>
1.28.1/01	04	<b>16X16 HYDR. TRANSM. WITH SYNCHRO GEARS AND POWER SHUTTLE - GEARS, 1,2,3 SPEEDS (VAR.330278-332278 / 743509)</b>
1.28.1/02	01	<b>HI-LO GEAR BOX GEARING - CLUTCH SHAFT (VAR.330275-331275 / 743510; VAR.330273)</b>
1.28.1/02	02	<b>HI-LO GEAR BOX GEARING - DRIVING GEAR SHAFT (VAR.330275-331275 / 743510; VAR.330273)</b>
1.28.1/02	03	<b>HI-LO GEAR BOX GEARING - REVERSER GEAR, 4 SPEEDS (VAR.330275-331275 / 743510; VAR.330273)</b>
1.28.1/02	04	<b>HI-LO GEAR BOX GEARING - GEARS, 1,2,3 SPEEDS (VAR.330275-331275 / 743510; VAR.330273)</b>
1.28.1/03	01	<b>SPLITTER 32X16 - CLUTCH SHAFT, GEARS AND SYNCH (VAR.330118 / 743508)</b>

---

**TABLE OF CONTENTS**

---

1.28.1/03	02	SPLITTER 32X16 FORK, ROD AND PAWL (VAR.330118 / 743508)
1.28.1/04	01	28X16 FOR 16X16 MECHANICAL TRANSMISSION WITH CREEPER - CLUTCH SHAFT (VAR.330111)
1.28.1/04	02	28X16 FOR 16X16 MECHANICAL TRANSMISSION WITH CREEPER - GEAR AND FORK (VAR.330111)
1.28.1/05		PARKING LOCK (FOR HI-LO 44+16 FOR CREEPER) - CREEPER GEARSHIFT MECHANISM (VAR.333286 / 743968)
1.28.7		DRIVE GEAR SHAFT AND DRIVEN GEARS
1.28.7/01	01	16X16 HYDR. TRANSM. WITH SYNCHRO GEARS AND POWER SHUTTLE - CLUTCH HOUSING PAN (VAR.330278-332278 / 743509)
1.28.7/01	02	16X16 HYDR. TRANSMISSION WITH SYNCHRO GEARS AND POWER SHUTTLE - CLUTCH PLATES (VAR.330278-332278 / 743509)
1.28.7/01	03	16X16 HYDR. TRANSM. WITH SYNCHRO GEARS AND POWER SHUTTLE - CLUTCH PLATE HUBS (VAR.330278-332278 / 743509)
1.28.7/01	04	16X16 HYDR. TRANSMISSION WITH SYNCHRO GEARS AND POWER SHUTTLE - DRIVING SHAFT (VAR.330278-332278 / 743509)
1.28.7/02	01	32X16 HI-LO AND POWER SHUTTLE TRANSMISSION - CLUTCH HOUSING PAN (VAR.330275-331275 / 743510; VAR.330273)
1.28.7/02	02	32X16 HI-LO AND POWER SHUTTLE TRANSMISSION - CLUTCH PLATES (VAR.330275-331275 / 743510; VAR.330273)
1.28.7/02	03	32X16 HI-LO AND POWER SHUTTLE TRANSMISSION - CLUTCH PLATE HUBS (VAR.330275-331275 / 743510; VAR.330273)
1.28.7/02	04	32X16 HI-LO AND POWER SHUTTLE TRANSMISSION - DRIVING SHAFT (VAR.330275-331275 / 743510; VAR.330273)
1.28.7/03	01	32X16 HI-LO AND POWER SHUTTLE TRANSMISSION WITH CREEPER - GEARBOX HYDRAULIC CONTROL (VAR.335111)
1.28.7/03	02	32X16 HI-LO AND POWER SHUTTLE TRANSMISSION WITH CREEPER - CREEPER GEARSHIFT MECHANISM (VAR.335111)
1.28.8/ A		16-BAR VALVE - PARTS - 2WD
1.28.8/01	01	GEARBOX LUBRICATION PIPES AND OIL FILTER - L/CAB
1.28.8/01	02	GEARBOX LUBRICATION PIPES AND OIL FILTER - W/CAB
1.28.8/01	03	REVERSER LUBRICATION PIPE AND RELEVANT PARTS
1.28.8/02		TRACTION SELECTION WITH HYDRAULIC TRANSMISSION - GEARBOX LUBRICATION PIPES AND OIL FILTER (VAR.337401-338401 / 743514; VAR.331281-332281)
1.29.0		GEARBOX INNER CONTROLS, RODS AND FORKS
1.29.0/01		16X16 HYDR. TRANSM. WITH SYNCHRO GEARS AND POWER SHUTTLE - INTERNAL CONTROLS (VAR.330278-332278 / 743509)
1.29.1		GEARBOX OUTER CONTROLS, REDUCTION UNIT GEAR BOX LEVER, REVERSER ROD
1.29.1/01		GEARBOX OUTER CONTROLS, REDUCTION UNIT GEAR BOX LEVER, REVERSER ROD - NA
1.32.1	01	CENTRAL REDUCTION GEARS AND BEVEL GEAR PAIR
1.32.1	02	CENTRAL REDUCTION GEARS AND BEVEL GEAR PAIR
1.32.2		MAIN REDUCTION UNIT CONTROLS, COUPLING RODS AND FORKS
1.32.4		DIFFERENTIAL GEARS
1.32.6		REAR HYDRAULIC DIFF. LOCK WITH ELECTRO - HYDR. ENGAGEMENT - LOCK, DIFFERENTIAL
1.32.6/01		REAR MECHANICAL DIFFERENTIAL LOCK - LEVER (VAR.330387-334387 / 743511)
1.32.7		REAR MECHANICAL DIFFERENTIAL LOCK - CONTROL LEVERS AND ROD (VAR.330387-334387 / 743511)
1.32.8		4WD DIFFERENTIAL LOCK PIPES
1.33.0		4WD IDLER CASE AND COVERS
1.33.1	01	TRANSMISSION GEARS - 4WD, DRIVE SHAFT

---

**TABLE OF CONTENTS**

---

1.33.1	02	TRANSMISSION GEARS - 4WD, DRIVEN GEAR AND SLIDING SLEEVE
1.33.1	03	TRANSMISSION GEARS - 4WD, DELIVERY UNION
1.33.2	01	SOLENOID VALVE AND CAPS
1.33.2	02	VALVE SUPPORT AND CAPS
1.38.5	01	4WD FRONT AXLE PROPELLER SHAFT
1.38.5	02	4WD FRONT AXLE PROPELLER SHAFT SHIELD
1.40.0/01		SUPERSTEER FRONT AXLE WITH ELECTROHYDR. DIFF. LOCK LESS FRONT BRAKES (40 KM/H) - BOX
1.40.0/02	01	SUPERSTEER FRONT AXLE WITH ELECTROHYDR. DIFF. LOCK LESS FRONT BRAKES (40 KM/H) - STEERING KNUCKLE
1.40.0/02	02	SUPERSTEER FRONT AXLE WITH ELECTROHYDR. DIFF. LOCK LESS FRONT BRAKES (40 KM/H) - STEERING KNUCKLE
1.40.0/03		SUPERSTEER FRONT AXLE WITH ELECTROHYDR. DIFF. LOCK LESS FRONT BRAKES (40 KM/H) - HUB
1.40.0/05		SUPERSTEER FRONT AXLE WITH ELECTROHYDR. DIFF. LOCK LESS FRONT BRAKES (40 KM/H) - SUPPORT
1.40.0/06	01	SUPERSTEER FRONT AXLE WITH ELECTROHYDR. DIFF. LOCK LESS FRONT BRAKES (40 KM/H) - BEVEL GEAR PAIR
1.40.0/06	02	SUPERSTEER FRONT AXLE WITH ELECTROHYDR. DIFF. LOCK LESS FRONT BRAKES (40 KM/H) - ADJUSTING SHIMS
1.40.0/06	03	SUPERSTEER FRONT AXLE WITH ELECTROHYDR. DIFF. LOCK LESS FRONT BRAKES (40 KM/H) - ADJUSTING SHIMS
1.40.0/07		SUPERSTEER FRONT AXLE WITH ELECTROHYDR. DIFF. LOCK LESS FRONT BRAKES (40 KM/H) - DIFFERENTIAL
1.40.0/08	01	SUPERSTEER FRONT AXLE WITH ELECTROHYDR. DIFF. LOCK LESS FRONT BRAKES (40 KM/H) - SLEEVES & HOUSING
1.40.0/08	02	SUPERSTEER FRONT AXLE WITH ELECTROHYDR. DIFF. LOCK LESS FRONT BRAKES (40 KM/H) - PIPES
1.40.0/10	01	SUPERSTEER FRONT AXLE WITH ELECTROHYDR. DIFF. LOCK LESS FRONT BRAKES (40 KM/H) - AXLE-SHAFT ARTICUL.
1.40.0/10	02	SUPERSTEER FRONT AXLE WITH ELECTROHYDR. DIFF. LOCK LESS FRONT BRAKES (40 KM/H) - GEARS AND SHAFT
1.40.0/10A		AXLE-SHAFT ARTICULATED - BREAKDOWN
1.40.0/12	01	SUPERSTEER FRONT AXLE WITH ELECTROHYDR. DIFF. LOCK LESS FRONT BRAKES (40 KM/H) - HYDRAULIC CYLINDER
1.40.0/12	02	SUPERSTEER FRONT AXLE WITH ELECTROHYDR. DIFF. LOCK LESS FRONT BRAKES (40 KM/H) - PIPES
1.40.0/12A		HYDRAULIC CYLINDER - BREAKDOWN
1.40.1/01		40KM/H BEVEL GEAR PAIR WITH FRONT BRAKE - BOX & RELATED PARTS (VAR.337144)
1.40.1/02		40KM/H BEVEL GEAR PAIR WITH FRONT BRAKE - STEERING KNUCKLE (VAR.337144)
1.40.1/03		40KM/H BEVEL GEAR PAIR WITH FRONT BRAKE - HUB (VAR.337144)
1.40.1/05		40KM/H BEVEL GEAR PAIR WITH FRONT BRAKE - SUPPORT (VAR.337144)
1.40.1/07		40KM/H BEVEL GEAR PAIR WITH FRONT BRAKE - DIFFERENTIAL (VAR.337144)
1.40.1/08	01	40KM/H BEVEL GEAR PAIR WITH FRONT BRAKE - HYDRAULIC DIFF. LOCK CONTROL (VAR.337144)
1.40.1/08	02	40KM/H BEVEL GEAR PAIR WITH FRONT BRAKE - HYDRAULIC DIFF. LOCK CONTROL (VAR.337144)
1.40.1/10	01	40KM/H BEVEL GEAR PAIR WITH FRONT BRAKE - GEARS AND DIFFERENTIAL SHAFT (VAR.337144)
1.40.1/10	02	40KM/H BEVEL GEAR PAIR WITH FRONT BRAKE - GEARS AND DIFFERENTIAL SHAFT (VAR.337144)
1.40.1/10A		FRONT AXLE - SHAFT



---

**TABLE OF CONTENTS**

---

1.40.1/13	01	40KM/H BEVEL GEAR PAIR WITH FRONT BRAKE - FRONT BRAKE (VAR.337144)
1.40.1/13	02	40KM/H BEVEL GEAR PAIR WITH FRONT BRAKE - FRONT BRAKE (VAR.337144)
1.40.2/03		40KM/H BEVEL GEAR PAIR WITHOUT FRONT BRAKE FOR 20" TYRES - HUB (VAR.338144)
1.40.2/07	01	40KM/H BEVEL GEAR PAIR WITHOUT FRONT BRAKE FOR 20" TYRES - FRONT BEVEL GEAR PAIR (VAR.338144)
1.40.2/07	02	40KM/H BEVEL GEAR PAIR WITHOUT FRONT BRAKE FOR 20" TYRES - DIFFERENTIAL (VAR.338144)
1.40.2/10	01	40KM/H BEVEL GEAR PAIR WITHOUT FRONT BRAKE FOR 20" TYRES - GEARS AND DIFFERENTIAL SHAFT (VAR.338144)
1.40.2/10	02	40KM/H BEVEL GEAR PAIR WITHOUT FRONT BRAKE FOR 20" TYRES - GEARS AND DIFFERENTIAL SHAFT (VAR.338144)
1.40.2/10A		FRONT AXLE - SHAFT
1.40.3/06		30KM/H BEVEL GEAR PAIR WITHOUT FRONT BRAKE - FRONT BEVEL GEAR PAIR (VAR.335145)
1.40.4/02		30KM/H BEVEL GEAR PAIR WITH FRONT BRAKE - STEERING KNUCKLE (VAR.337145)
1.40.4/03		30KM/H BEVEL GEAR PAIR WITH FRONT BRAKE - HUB (VAR.337145)
1.40.4/07		30KM/H BEVEL GEAR PAIR WITH FRONT BRAKE - DIFFERENTIAL (VAR.337145)
1.40.4/10	01	30KM/H BEVEL GEAR PAIR WITH FRONT BRAKE - GEARS AND DIFFERENTIAL SHAFT (VAR.337145)
1.40.4/10	02	30KM/H BEVEL GEAR PAIR WITH FRONT BRAKE - GEARS AND DIFFERENTIAL SHAFT (VAR.337145)
1.40.4/13	01	30KM/H BEVEL GEAR PAIR WITH FRONT BRAKE - FRONT BRAKE (VAR.337145)
1.40.4/13	02	30KM/H BEVEL GEAR PAIR WITH FRONT BRAKE - FRONT BRAKE (VAR.337145)
1.40.5/05		30KM/H BEVEL GEAR PAIR WITHOUT DIFFERENTIAL LOCK - SUPPORT (VAR.330146)
1.40.5/06		30KM/H BEVEL GEAR PAIR WITHOUT DIFFERENTIAL LOCK - FRONT BEVEL GEAR PAIR (VAR.330146)
1.40.5/07		30KM/H BEVEL GEAR PAIR WITHOUT DIFFERENTIAL LOCK - MECHANICAL DIFFERENTIAL LOCKING (VAR.330146)
1.40.5/10	01	30KM/H BEVEL GEAR PAIR WITHOUT DIFFERENTIAL LOCK - GEARS AND DIFFERENTIAL SHAFT (VAR.330146)
1.40.5/10	02	30KM/H BEVEL GEAR PAIR WITHOUT DIFFERENTIAL LOCK - GEARS AND DIFFERENTIAL SHAFT (VAR.330146)
1.40.5/10A		AXLE-SHAFT ARTICULATED BREAKDOWN
1.40.6/12	01	FRONT HPL AND FRONT P.T.O. - HYDRAULIC STEERING CYLINDER (VAR.332144-333144)
1.40.6/12	02	FRONT HPL AND FRONT P.T.O. - PIPES (VAR.332144-333144)
1.41.0	01	2WD FRONT AXLE - AXLE BODY, END (VAR.331581-332581 / 743515)
1.41.0	02	2WD FRONT AXLE - BALL FUSE AND HUBS (VAR.331581-332581 / 743515)
1.41.0	03	2WD FRONT AXLE - STEERING ROD & PIPES (VAR.331581-332581 / 743515)
1.41.0/ A		2WD HYDRAULIC STEERING CYLINDER
1.41.0/ B		TRANSVERSAL STEERING TIE-ROD
1.42.0		HYDRAULIC PUMP
1.42.0/ B		HYDRAULIC PUMP - BREAKDOWN
1.42.0/ D		HYDRAULIC PUMP - BREAKDOWN
1.44.0		FRONT SUPPORT AND WEIGHTS WITH 6 LIGHT PLATES (150KG) (2WD) (VAR.332226 / 743505)
1.44.0/01		FRONT SUPPORT AND WEIGHTS WITH 6 HEAVY PLATES (240KG) (2WD) (VAR.331226 / 743506)
1.44.0/02		FRONT SUPPORT AND WEIGHTS WITH 6 HEAVY PLATES (240KG) (VAR.334226 / 743506)

---

**TABLE OF CONTENTS**

---

1.44.0/03		FRONT SUPPORT AND WEIGHTS WITH 6 LIGHT PLATES (150KG) (4WD) (VAR.333226 / 743505)
1.48.1	01	DRIVING WHEEL SHAFT
1.48.1	02	DRIVING WHEEL SHAFT SHIMS
1.48.1	03	FINAL DRIVE, GEARS AND SHAFTS
1.48.2		4 REAR BALLAST (50KG) (VAR.330470)
1.48.2/01		6 REAR BALLAST (32KG) (VAR.330471)
1.65.3		PARKING BRAKE SYSTEM
1.65.5		PARKING BRAKE
1.65.5/01	01	PARKING LOCK (FOR HI-LO 32+16) (VAR.331286 / 743968)
1.65.5/01	02	PARKING LOCK (FOR HI-LO 32+16) (VAR.331286 / 743968)
1.65.5/02	01	PARKING LOCK (FOR HI-LO 44+16 FOR CREEPER) (VAR.333286 / 743968)
1.65.5/02	02	PARKING LOCK (FOR HI-LO 44+16 FOR CREEPER) (VAR.333286 / 743968)
1.65.5/03		LESS PARKING LOCK
1.65.6		PARKING LOCK (VAR.331286-333286 / 743968)
1.67.2		HANDBRAKE CONTROL
1.68.2		BRAKING SYSTEM TANK
1.68.5	01	BRAKE PIPING
1.68.5	02	BRAKE PIPING
1.68.5/01	01	4WD FRONT AXLE WITH BRAKES - PIPES (VAR.337144-337145)
1.68.5/01	02	4WD FRONT AXLE WITH BRAKES - PIPES (VAR.337144-337145)
1.68.5/02	01	PARKING LOCK (FOR HI-LO 32+16) (VAR.331286 / 743968)
1.68.5/02	02	PARKING LOCK (FOR HI-LO 32+16) (VAR.331286 / 743968)
1.68.5/02	03	PARKING LOCK (FOR HI-LO 32+16) (VAR.331286 / 743968)
1.68.5/02	04	PARKING LOCK (FOR HI-LO 32+16) (VAR.331286 / 743968)
1.68.5/02A		PARKING LOCK (FOR HI-LO 32+16) (VAR.331286 / 743968)
1.68.5/03	01	PARKING LOCK (FOR HI-LO 44+16 FOR CREEPER) (VAR.333286 / 743968)
1.68.5/03	02	PARKING LOCK (FOR HI-LO 44+16 FOR CREEPER) (VAR.333286 / 743968)
1.68.5/03	03	PARKING LOCK (FOR HI-LO 44+16 FOR CREEPER) (VAR.333286 / 743968)
1.68.5/03	04	PARKING LOCK (FOR HI-LO 44+16 FOR CREEPER) (VAR.333286 / 743968)
1.68.5/03A		PARKING LOCK (FOR HI-LO 44+16 FOR CREEPER) (VAR.333286 / 743968)
1.74.3	01	BATTERY MOUNTING - END YR 17-APR-2012
1.74.3	01A	BATTERY MOUNTING - BEGIN YR 18-APR-2012
1.74.3/01		NA PACKAGE - BATTERY MOUNTING (VAR.330007)
1.75.0		ELECTRIC CONTROLS
1.75.1		SUPERSTEER FRONT AXLE - ELECTRONIC CONTROL MODULE
1.75.1/01		16X16 HYDR. TRANSM. WITH SYNCHRO GEARS AND POWER SHUTTLE - ELECTR. CONTROL UNIT (VAR.330278-332278 / 743509)

---

## TABLE OF CONTENTS

---

1.75.1/02		32X16 HI-LO AND POWER SHUTTLE TRANSMISSION - ELECTR. CONTROL UNIT (VAR.330275-331275 / 743510; VAR.330273)
1.75.1/03		ELECTRONIC MID MOUNTED VALVES - JOYSTICK AND SWITCHES
1.75.3	01	BATTERY CABLES
1.75.3/01		BATTERY CABLES WITHOUT MECHANICAL BATTERY ISOLATOR (VAR.338798)
1.75.4	01	ENGINE HARNESS
1.75.4	02	TRANSMISSION HARNESS
1.75.4	03	AUXILIARY CABLES
1.75.4	04	MAIN HARNESS - L/CAB
1.75.4/ A		MAIN CABLE - FUSE AND RELAIS HOLDER - BREAKDOWN
1.75.4/01		TRAILER BRAKE VALVE (ITALY) - CABLES (VAR.333372-334372-335372-336372-337372 / 743517)
1.75.4/02	02	AIR HEATER ENGINE STARTING AID - HEATER, CABLES AND BRACKETS (VAR.334206)
1.75.4/03		POWER SHUTTLE - CABLES (VAR.330275-331275 / 743510; VAR.330278-332278 / 743509 ; VAR.330273)
1.75.4/04		ISO ELECTRIC CONTROLS MULTIPOLE CONNECTION (VAR.331745)
1.75.4/05		NA - ELECTRIC CONTROLS, MULTIPOLE CONNECTION (VAR.332745)
1.75.4/06		DIGITAL INSTRUMENT CABLE - L/CAB (VAR.330737-335737)
1.75.4/07		HYDRAULIC RIGHT LIFTING ROD - ELECTRICAL CABLE (VAR.331965-332965-335965-336965-337965-338965-331965-332965-330966-331966-332966-335966-336966 / 743536)
1.75.4/08		NA PACKAGE - AUXILIARI CABLES (VAR.330007)
1.75.4/09		FRONT HPL AND FRONT PTO - CABLES (VAR.334848-335848 / 743521)
1.75.4/10		MAIN HARNESS WITHOUT MECHANICAL BATTERY ISOLATOR - L/CAB
1.75.4/11		ELECTRONIC MID MOUNTED VALVES - HARNESS
1.75.4/12		ELECTRONIC MID MOUNTED VALVES - ELECTRONIC CONTROL MODULE
1.75.6	01	FRONT HEADLAMPS, TURN INDICATOR AND REAR REFLECTOR
1.75.6	02	REAR WORKLAMPS AND REAR LAMPS
1.75.6/01		NA PACKAGE- RETROREFLECTOR SUPPORT (VAR.331964)
1.75.6/02		VERTICAL MUFFLER - LIGHTING COMPONENTS - W/CAB (VAR.330151-331151)
1.80.1	01	POWER TAKE-OFF (540 RPM) - SHAFTS AND GEARS
1.80.1	02	POWER TAKE-OFF (540 RPM) - SHAFTS AND REAR GUARD
1.80.1/01	01	POWER TAKE-OFF (540-540E RPM) LESS GROUND SPEED - SHAFTS AND GEARS (VAR.333804)
1.80.1/01	02	POWER TAKE-OFF (540-540E RPM) LESS GROUND SPEED - COUPLING LEVER AND FORK (VAR.333804)
1.80.1/01	03	POWER TAKE-OFF (540-540E RPM) LESS GROUND SPEED - SHAFTS AND REAR GUARD (VAR.333804)
1.80.1/02	01	POWER TAKE-OFF (540-540E RPM) WITH GROUND SPEED - SHAFTS AND GEARS (VAR.330804-332804 / 743519)
1.80.1/02	02	POWER TAKE-OFF (540-540E RPM) WITH GROUND SPEED - COUPLING LEVER AND FORK (VAR.330804-332804 / 743519)
1.80.1/02	03	POWER TAKE-OFF (540-540E RPM) WITH GROUND SPEED - SHAFTS AND REAR GUARD (VAR.330804-332804 / 743519)
1.80.1/02	04	POWER TAKE-OFF (540-540E RPM) WITH GROUND SPEED -SHAFTS AND GEARS (VAR.330804-332804 / 743519)

---

## TABLE OF CONTENTS

---

1.80.1/02	05	POWER TAKE-OFF (540-540E RPM) WITH GROUND SPEED - COUPLING (VAR.330804-332804 / 743519)
1.80.1/02	06	POWER TAKE-OFF (540-540E RPM) WITH GROUND SPEED - COUPLING LEVER (VAR.330804-332804 / 743519)
1.80.1/03	01	POWER TAKE-OFF (540-540E-1000 RPM) WITH GROUND SPEED - SHAFTS AND GEARS (VAR.330817)
1.80.1/03	02	POWER TAKE-OFF (540-540E-1000 RPM) WITH GROUND SPEED - SHAFTS AND GEARS (VAR.330817)
1.80.1/03	03	POWER TAKE-OFF (540-540E-1000 RPM) WITH GROUND SPEED - SHAFTS AND REAR GUARD (VAR.330817)
1.80.1/03	04	POWER TAKE-OFF (540-540E-1000 RPM) WITH GROUND SPEED - COUPLING LEVER AND FORK (VAR.330817)
1.80.1/03	05	POWER TAKE-OFF (540-540E-1000 RPM) WITH GROUND SPEED - COUPLING (VAR.330817)
1.80.1/03	06	POWER TAKE-OFF (540-540E-1000 RPM) WITH GROUND SPEED - COUPLING LEVER (VAR.330817)
1.80.1/04	01	POWER TAKE-OFF (540-1000 RPM) - NA - SHAFTS AND GEARS (VAR.330808)
1.80.1/04	02	POWER TAKE-OFF (540-1000 RPM) - NA - SHAFTS AND REAR GUARD (VAR.330808)
1.80.1/04	03	POWER TAKE-OFF (540-1000 RPM) - NA - COUPLING LEVER AND FORK (VAR.330808)
1.80.1/05	01	FRONT HPL AND FRONT PTO - FRONT PTO SHAFT AND GUARD (VAR.332144-333144)
1.80.1/05	02	FRONT HPL AND FRONT PTO - ELECTROMAGNETIC CLUTCH (VAR.332144-333144)
1.80.1/05	03	FRONT HPL AND FRONT PTO - HOUSING AND DRIVE SHAFT (VAR.332144-333144)
1.80.1/05	04	FRONT HPL AND FRONT PTO - COUPLING FORK (VAR.332144-333144)
1.80.1/05A		BALL JOINT - BREAKDOWN
1.80.4	01	PTO ENGAGEMENT CLUTCH - SERVOCONTROL
1.80.4	02	PTO ENGAGEMENT CLUTCH - PIPES
1.80.4/ A		PTO CLUTCH CONTROL ACTUATOR CYLINDER - BREAKDOWN
1.80.4/01	01	ELECTRONIC MID MOUNTED VALVES - PTO ENGAGEMENT CLUTCH - SERVOCONTROL
1.80.4/01	02	ELECTRONIC MID MOUNTED VALVES - PTO ENGAGEMENT CLUTCH - PIPES
1.80.4/01	03	ELECTRONIC MID MOUNTED VALVES - PTO CLUTCH CONTROL ACTUATOR CYLINDER - BREAKDOWN
1.80.4/02	01	2 MID MOUNT PIPES, 4 COUPLERS - PTO ENGAGEMENT CLUTCH - SERVOCONTROL - L/CAB (VAR.330119)
1.80.4/02	02	2 MID MOUNT PIPES, 4 COUPLERS - PTO ENGAGEMENT CLUTCH - PIPES - L/CAB (VAR.330119)
1.80.4/02	03	2 MID MOUNT PIPES, 4 COUPLERS - PTO CLUTCH CONTROL ACTUATOR CYLINDER - BREAKDOWN - L/CAB (VAR.330119)
1.82.0		LIFTER, HOUSING AND COVERS
1.82.0/01		LIFTER, HOUSING AND COVERS (VAR.334565-334578 / 744833)
1.82.1/01	01	LIFTER, LINES
1.82.1/01	02	LIFTER, LINES
1.82.1/01	03	OIL FILTER, PRESSURE RELIEF VALVE, SUPPORTS AND PIPES
1.82.1/01	04	DELIVERY PIPE TO STEERING MOTOR
1.82.1/02		PIPE FROM TRAILER BRAKE VALVE TO MID MOUNT VALVES
1.82.1/03		LIFTER LINES FOR REGULATION VALVE
1.82.1/04		FRONT HPL AND FRONT PTO - CYLINDER AND PIPES (VAR.332144-333144)

---

## TABLE OF CONTENTS

---

1.82.1/05		ELECTRONIC MID MOUNTED VALVES - PIPES
1.82.1/06		ELECTRONIC MID MOUNTED VALVES - PIPES
1.82.1/07	01	2 MID MOUNT PIPES, 4 COUPLERS - REAR PIPES - L/CAB (VAR.330119)
1.82.1/07	02	2 MID MOUNT PIPES, 4 COUPLERS - MIDDLE PIPES - L/CAB (VAR.330119)
1.82.1/08		LIFTER, LINES (VAR.334565-334578 / 744833)
1.82.4	01	LIFTER DISTRIBUTOR AND VALVES BREAKDOWN
1.82.4	02	LIFTER DISTRIBUTOR AND VALVES BREAKDOWN
1.82.4	03	LIFTER DISTRIBUTOR AND VALVES BREAKDOWN
1.82.4	04	LIFTER DISTRIBUTOR AND VALVES BREAKDOWN
1.82.4/01		ELECTRONIC LIFT - VALVE AND RELEVANT PARTS (VAR.331832-332832 / 743523)
1.82.4/01A		ELECTRONIC LIFT - VALVE AND RELEVANT COMPONENTS.
1.82.5	01	HYDRAULIC LIFT OUTER AND INNER CONTROLS
1.82.5	02	HYDRAULIC LIFT OUTER AND INNER CONTROLS
1.82.5	03	HYDRAULIC LIFT OUTER AND INNER CONTROLS
1.82.5	04	HYDRAULIC LIFT OUTER AND INNER CONTROLS
1.82.5	05	HYDRAULIC LIFT OUTER AND INNER CONTROLS
1.82.5	06	HYDRAULIC LIFT OUTER AND INNER CONTROLS
1.82.5/01		ELECTRONIC LIFT - LIFT CONTROLS. (VAR.331832-332832 / 743523)
1.82.5/02	01	HYDRAULIC LIFT OUTER AND INNER CONTROLS (VAR.334565-334578 / 744833)
1.82.5/02	02	HYDRAULIC LIFT OUTER AND INNER CONTROLS (VAR.334565-334578 / 744833)
1.82.5/02	03	HYDRAULIC LIFT OUTER AND INNER CONTROLS (VAR.334565-334578 / 744833)
1.82.5/02	04	HYDRAULIC LIFT OUTER AND INNER CONTROLS (VAR.334565-334578 / 744833)
1.82.5/02	05	HYDRAULIC LIFT OUTER AND INNER CONTROLS (VAR.334565-334578 / 744833)
1.82.5/02	06	HYDRAULIC LIFT OUTER AND INNER CONTROLS (VAR.334565-334578 / 744833)
1.82.6		HYDRAULIC LIFT INNER CYLINDER
1.82.7	01	2 REAR REMOTES FOR MDC - REMOTE VALVES
1.82.7	02	2 REAR REMOTES FOR MDC - RELATED PARTS
1.82.7	03	2 REAR REMOTES FOR MDC - BRACKETS, UNION AND QUICK COUPLING
1.82.7/ A	01	SIMPLE DOUBLE EFFECT DISTRIBUTOR WITH FLOAT AND AUTOMATIC CUTOUT - BREAKDOWN
1.82.7/ A	02	SIMPLE DOUBLE EFFECT DISTRIBUTOR WITH FLOAT AND AUTOMATIC CUTOUT - BREAKDOWN
1.82.7/ A	03	SIMPLE DOUBLE EFFECT DISTRIBUTOR WITH FLOAT AND AUTOMATIC CUTOUT - BREAKDOWN
1.82.7/ B	01	SIMPLE DOUBLE EFFECT DISTRIBUTOR - BREAKDOWN
1.82.7/ B	02	SIMPLE DOUBLE EFFECT DISTRIBUTOR - BREAKDOWN
1.82.7/01	01	2 REAR REMOTES FOR EDC - REMOTE VALVES - W/CAB
1.82.7/01	02	2 REAR REMOTES FOR EDC - RELATED PARTS - W/CAB
1.82.7/01	03	2 REAR REMOTES FOR EDC - BRACKETS, UNION AND QUICK COUPLING - W/CAB

---

## TABLE OF CONTENTS

---

1.82.7/02	01	THREE CONTROL VALVES - FLANGE AND SIDE PANEL (VAR.330390 / 743525)
1.82.7/02	02	THREE REMOTE VALVES & FLOW-RATE REGULATOR - PIPES AND RINGS (VAR.330390 / 743525)
1.82.7/02A		FLOW-RATE REGULATOR - BREAKDOWN
1.82.7/02B	01	REMOTE VALVE SECTION BREAKDOWN
1.82.7/02B	02	REMOTE VALVE SECTION BREAKDOWN
1.82.7/02C	01	SIMPLE DOUBLE EFFECT DISTRIBUTOR WITH AUTOMATIC CUTOUT FOR MID-MOUNT - BREAKDOWN
1.82.7/02C	02	SIMPLE DOUBLE EFFECT DISTRIBUTOR WITH AUTOMATIC CUTOUT FOR MID-MOUNT - BREAKDOWN
1.82.7/02C	03	SIMPLE DOUBLE EFFECT DISTRIBUTOR WITH AUTOMATIC CUTOUT FOR MID-MOUNT - BREAKDOWN
1.82.7/03	01	VAR - 332138, 335390, 743525, FORK, CONTROL VALVE, EDC
1.82.7/03	02	THREE CONTROL VALVES WITH ELECTRONIC LIFT - FLANGE (IN & OUT) (VAR.335390 / 743525)
1.82.7/03	03	THREE CONTROL VALVES WITH ELECTRONIC LIFT - QUICK COUPLINGS AND PIPES (VAR.335390 / 743525)
1.82.7/03	04	THREE CONTROL VALVES WITH ELECTRONIC LIFT - QUICK COUPLINGS AND PIPES (VAR.335390 / 743525)
1.82.7/04	01	3 REM. VALVES FOR MECHANICAL LIFTER W/HYDRAULIC DIVIDER - FLANGE AND SIDE PANEL (VAR.330391-333391 / 743526)
1.82.7/04	02	3 REM. VALVES FOR MECHANICAL LIFTER W/HYDRAULIC DIVIDER - PIPES AND RINGS (VAR.330391-333391 / 743526)
1.82.7/04	03	3 REM. VALVES FOR MECHANICAL LIFTER W/HYDRAULIC DIVIDER - QUICK COUPLINGS (VAR.330391-333391 / 743526)
1.82.7/05	01	3 REAR REMOTE VALVES WITH DOUBLE FLOW DIVIDER - REMOTE VALVES (VAR.331391 / 743527)
1.82.7/05	02	3 REAR REMOTE VALVES WITH DOUBLE FLOW DIVIDER - PIPES AND RINGS (VAR.331391 / 743527)
1.82.7/05	03	3 REAR REMOTE VALVES WITH DOUBLE FLOW DIVIDER - DIVIDER (VAR.331391 / 743527)
1.82.7/05	04	3 REAR REMOTE VALVES WITH DOUBLE FLOW DIVIDER - PIPES (VAR.331391 / 743527)
1.82.7/05A		DOUBLE FLOW DIVIDER - BREAKDOWN
1.82.7/06	01	3 REM. VALVES FOR ELECTRONIC LIFTER W/HYDRAULIC DIVIDER - VALVE AND FLANGE (VAR.336391 / 743526)
1.82.7/06	02	VAR. 332141, 336391, 743526, PIPE, REMOTE VALVE KIT, EDC
1.82.7/06	03	VAR - 332141, 336391, 743526, PIPE, REMOTE VALVE KIT, EDC
1.82.7/06	04	3 REM. VALVES FOR ELECTRONIC LIFTER W/HYDRAULIC DIVIDER - QUICK COUPLINGS (VAR.336391 / 743526)
1.82.7/07		RAPID COUPLING DELUXE (VAR.330733-330734)
1.82.7/08	01	TWO MID MOUNT VALVES - CONTROL VALVES AND GASKETS (VAR.334124-335124-338124-339124 / 743529)
1.82.7/08	02	TWO MID MOUNT VALVES - PIPES (VAR.334124-335124-338124-339124 / 743529)
1.82.7/08	03	TWO MID MOUNT VALVES - PIPES (VAR.334124-335124-338124-339124 / 743529)
1.82.7/08	04	TWO MID MOUNT VALVES - BRACKETS (VAR.334124-335124-338124-339124 / 743529)
1.82.7/08	05	TWO MID MOUNT VALVES - RAPID COUPLING (VAR.334124-335124 / 743529)
1.82.7/08A	01	SIMPLE DOUBLE EFFECT DISTRIBUTOR WITH FLOAT - PARTS
1.82.7/08A	02	SIMPLE DOUBLE EFFECT DISTRIBUTOR WITH FLOAT - PARTS
1.82.7/08B		FLOW-RATE REGULATOR - PARTS
1.82.7/08C	01	SIMPLE DOUBLE ACTING CONTROL VALVE WITH KICK OUT- PARTS

---

**TABLE OF CONTENTS**

---

1.82.7/08C	02	SIMPLE DOUBLE ACTING CONTROL VALVE WITH KICK OUT - PARTS
1.82.7/08C	03	SIMPLE DOUBLE ACTING CONTROL VALVE WITH KICK OUT - PARTS
1.82.7/09	01	TWO MID MOUNT VALVES FOR FRONT HPL - CONTROL VALVES AND GASKETS (VAR.336124-337124-330126-331126 / 743529)
1.82.7/09	02	TWO MID MOUNT VALVES FOR FRONT HPL - PIPES (VAR.336124-337124-330126-331126 / 743529)
1.82.7/09	03	TWO MID MOUNT VALVES FOR FRONT HPL - PIPES (VAR.336124-337124-330126-331126 / 743529)
1.82.7/09	04	TWO MID MOUNT VALVES FOR FRONT HPL - BRACKETS (VAR.336124-337124-330126-331126 / 743529)
1.82.7/09	05	TWO MID MOUNT VALVES FOR FRONT HPL - RAPID COUPLING (VAR.336124-337124-330126-331126 / 743529)
1.82.7/09B		FRONT CONTROL VALVE - RELEVANT PARTS
1.82.7/10		FRONT HPL AND FRONT PTO - FRONT CONTROL VALVE (VAR.334848-335848 / 743521)
1.82.7/11	01	ELECTRONIC MID MOUNTED VALVES
1.82.7/11	02	ELECTRONIC MID MOUNTED VALVES - DUST CAP AND SHIELD
1.82.7/11A		ELECTRONIC MID MOUNTED VALVES - W/O FRONT HPL, W/O HYDR. STABILIZERS - BREAKDOWN (VAR. 330592-330593 / 743970)
1.82.7/11B		ELECTRONIC MID MOUNTED VALVES - W/O FRONT HPL, W/ HYDR. STABILIZERS - BREAKDOWN (VAR. 330596-330597 / 743970)
1.82.7/11C		ELECTRONIC MID MOUNTED VALVES - W/ FRONT HPL, W/O HYDR. STABILIZERS - BREAKDOWN (VAR. 330594-330595 / 743970)
1.82.7/11D		ELECTRONIC MID MOUNTED VALVES - W/ FRONT HPL, W/ HYDR. STABILIZERS - BREAKDOWN (VAR. 330598-330599 / 743970)
1.82.7/13		ELECTRONIC MID MOUNTED VALVES - FILTER
1.82.7/14		VAR - 330119, QUICK COUPLER, ELECTRONIC MID MOUNTED VALVES
1.82.7/15		PIPE - LOADER
1.82.7/17		VAR - 334848, 335848, 743521 - POWER TAKE OFF REMOTE CONTROL VALVE
1.82.7/19		VAR. 336848, 337848, 743522, FRONT HPL AND FRONT P.T.O., PIPES
1.82.714	01	TRAILER BRAKE VALVE - PIPES AND BRAKE VALVE (VAR.330371-332371-333371-334371-335371 / 743516)
1.82.714	02	TRAILER BRAKE VALVE - PIPES (VAR.330371-332371-333371-334371-335371 / 743516)
1.82.716	01	TRAILER BRAKE VALVE (ITALY) - PIPES AND BRAKE VALVE (VAR.333372-334372-335372-336372-337372 / 743517)
1.82.716	02	TRAILER BRAKE VALVE (ITALY) - PIPES (VAR.333372-334372-335372-336372-337372 / 743517)
1.82.716	03	TRAILER BRAKE VALVE (ITALY) - BLOCK, PIPES AND SOLENOID VALVES (VAR.333372-334372-335372-336372-337372 / 743517)
1.82.717	01	TRAILER BRAKE VALVE (ITALY) FOR EDC - PIPES AND BRAKE VALVE (VAR.338372 / 743517)
1.82.717	02	TRAILER BRAKE VALVE (ITALY) FOR EDC - PIPES (VAR.338372 / 743517)
1.82.717	03	TRAILER BRAKE VALVE (ITALY) FOR EDC - BLOCK, PIPES AND SOLENOID VALVES (VAR.338372 / 743517)
1.82.8		HYDRAULIC LIFT, LIFT ARMS AND CONNECTING SHAFT
1.82.8/01		HYDRAULIC LIFT, LIFT ARMS AND CONNECTING SHAFT (VAR.332832 / 743523)
1.82.8/02		LIFT ARM, SHAFT, SUPPORT (VAR.334565-334578 / 744833)
1.83.0/01	01	HOOD AND FILLING TANK COVER
1.83.0/01	02	HOOD LOCK AND FIXING BRACKETS
1.83.0/01	03	HOOD SIDE PANELS, GRIDS AND HEAT PROTECTIONS

---

**TABLE OF CONTENTS**

---

1.83.0/01	04	HOOD BRACKETS AND HEAT PROTECTIONS
1.83.0/01	05	HOOD GAS SPRING, HINGE SUPPORT AND HEAT SHIELD PROTECTION
1.87.0		FRONT FENDERS (2WD) (VAR.330863)
1.87.0/01		FRONT FENDERS (4WD) FOR TYRES 16" (VAR.338485 / 743533)
1.87.0/02	01	FRONT FENDERS (4WD) FOR TYRES 18" (VAR.336485 / 743533)
1.87.0/02	02	FRONT FENDERS (4WD) FOR TYRES 18" (VAR.336485 / 743533)
1.87.0/03	01	FRONT FENDERS 4WD FOR TYRES 20" (VAR.337485 / 743533)
1.87.0/03	02	FRONT FENDERS 4WD FOR TYRES 20" (VAR.337485 / 743533)
1.89.0		TOW BAR CATEGORY "A" 29MM (VAR.333913)
1.89.0/01		TOW-BAR CATEGORY "A" TOW HOOK (EEC) 33MM (VAR.330907)
1.89.0/02		TOW-BAR CAT."A" TOW HOOK 33 MM (VAR.332896)
1.89.2		FRONT PULL HOOK AND RELEVANT PIN - 2WD (VAR.330892 / 743502)
1.89.2/01		FRONT TOW HOOK (VAR.331892 / 743502)
1.89.3		FIXED HOOK, CAT. "C" (D=29MM) - PARTS (VAR.336895)
1.89.3/01	01	DRAWBAR, SUPPORT AND, TYPE "C" HOOK (D=29MM) (VAR.330906)
1.89.3/01	02	SUPPORT AND DRAWBAR CATEGORY "C" TOW HOOK (D=29MM) (VAR.330906)
1.89.3/02		SWIVEL HOOK, VERTICAL ADJUST, W/PIN (PITON) - FRANCE (VAR.336886)
1.89.3/02A		TOW HOOK - BREAKDOWN
1.89.3/03		SWIVEL HOOK FOR EEC, VERTICAL ADJUST SLIDING (D=29MM) (VAR.331891)
1.89.3/03A		FIXED HOOK,CAT. "C", VERTICAL ADJUST SLIDING (D=29MM)
1.89.3/04		SWIVEL HOOK FOR EEC, VERTICAL ADJUST SLIDING (GERMANY) - TON HOOK (VAR.330897)
1.89.3/04B		SWIVEL HOOK FOR EEC, VERTICAL ADJUST SLIDING
1.89.4	01	SUPPORT FOR TRAILER BRAKE CONTROL LEVER (ITALY) - L/CAB (VAR.330895)
1.89.4	02	SUPPORT FOR TRAILER BRAKE CONTROL LEVER (ITALY) - W/CAB (VAR.330895)
1.89.6	01	DRAFT CONTROL ROD AND LEVER
1.89.6	02	FLEXION BAR AND PARTS
1.89.6	03	LIFTING COUPLING, LIFT ARMS WITH FIXED END PIECES FOR 24",28" AND 30" TYRES
1.89.6	04	THREE POINT HITCH WITH QUICK ATTACH ENDS FOR 20" TYRES
1.89.6/ A		THIRD-LINK SPRAG - PARTS
1.89.6/ B		LH TIE-ROD - PARTS
1.89.6/ C		RH ADJUSTABLE LIFT-ROD, PARTS
1.89.6/ D		IMPLEMENT CARRIER - BREAKDOWN
1.89.6/ E		QUICK COUPLING FOR LIFT ARMS - PARTS.
1.89.6/01		FRONT HPL AND FRONT PTO - SUPPORT AND LIFT ARMS (VAR.332144-333144)
1.89.6/02		THREE POINT HITCH WITH QUICK ATTACH ENDS FOR 24",28" AND 30" TYRES (VAR.334904)
1.89.6/02A		THIRD-LINK SPRAG WITH QUICK COUPLING - PARTS



---

TABLE OF CONTENTS

---

1.89.6/02B		QUICK COUPLING FOR LIFT ARMS - PARTS.
1.89.6/03		THREE POINT HITCH WITH QUICK ATTACH ENDS FOR 20" TYRES (VAR.332904 / 743534)
1.89.6/03A		QUICK COUPLING FOR LIFT ARMS - PARTS.
1.89.6/04		HYDRAULIC RIGHT LIFTING ROD (VAR.330036-331036-332036-335965-336965-337965-330966-331966-332966-333966 / 743536)
1.89.6/04	02	VAR - 330036, 331036, 332036, 743536, HYDRAULIC SYSTEM, RIGHT LIFTING ROD
1.89.6/04A		HYDRAULIC RIGHT LIFTING ROD - PARTS
1.89.6/04C		HYDRAULIC RIGHT LIFTING ROD - PARTS
1.89.6/04D		LH TIE-ROD - PARTS
1.89.6/04E		HYDRAULIC RIGHT LIFTING ROD - BREAKDOWN
1.89.6/05	01	HYDRAULIC RIGHT LIFTING ROD FOR EDC - TIE-ROD, PIPES AND CONNECTIONS (VAR.337965-338965-332966-333966 / 743536)
1.89.6/05	02	HYDRAULIC RIGHT LIFTING ROD FOR EDC - VALVE AND SUPPORT (VAR.337965-338965-332966-333966 / 743536)
1.89.6/05A		HYDRAULIC LIFTING ROD - VALVE - BREAKDOWN
1.89.6/06	01	HYDRAULIC RIGHT LIFTING ROD FOR MDC - TIE-ROD, PIPES AND CONNECTIONS (VAR.335965-336965-330966-331966 / 743536)
1.89.6/06	02	HYDRAULIC RIGHT LIFTING ROD FOR MDC - VALVE AND SUPPORT (VAR.335965-336965-330966-331966 / 743536)
1.89.6/06A		HYDRAULIC LIFTING ROD - VALVE - BREAKDOWN
1.89.6/07	01	HYD. RIGHT LIFTING ROD FOR 20" TYRES AND MDC - TIE-ROD, PIPES AND CONNECTIONS (VAR.331965-335966 / 743536)
1.89.6/07	02	HYDRAULIC RIGHT LIFTING ROD FOR 20" TYRES AND MDC - VALVE AND SUPPORT (VAR.331965-335966 / 743536)
1.89.6/08	01	HYDR. RIGHT LIFTING ROD FOR 20" TYRES AND EDC - TIE-ROD, PIPES AND CONNECTIONS (VAR.332965-336966 / 743536)
1.89.6/08	02	HYDRAULIC RIGHT LIFTING ROD FOR 20" TYRES AND EDC - VALVE AND SUPPORT (VAR.332965-336966 / 743536)
1.89.6/09	01	FRONT HPL AND FRONT PTO - LIFT ARMS (VAR.334848-335848 / 743521)
1.89.6/09	02	FRONT HPL AND FRONT PTO - 3° POINT LINK WITH QUICK COUPLING (VAR.334848-335848 / 743521)
1.89.6/09A		TIE-ROD - BREAKDOWN
1.89.6/10		HYD. RIGHT LIFTING ROD FOR 20" TYRES - TIE-ROD, PIPES AND CONNECTIONS
1.89.6/11	01	HYDRAULIC THREE POINT HITCH WITH QUICK ATTACH ENDS FOR 28" AND 30" TYRES (VAR.331905)
1.89.6/11	02	HYDRAULIC THREE POINT HITCH WITH QUICK ATTACH ENDS FOR 28" AND 30" TYRES - PIPES (VAR.331905)
1.89.6/11A		HYDRAULIC THIRD - POINT TOP LINK - BREAKDOWN
1.89.6/12	01	DRAFT CONTROL ROD AND LEVER (VAR.334565-334578 / 744833)
1.89.6/12	02	FLEXION BAR AND PARTS (VAR.334565-334578 / 744833)
1.89.6/12	03	LIFTING COUPLING (VAR.334565-334578 / 744833)
1.89.9		LATERAL STABILIZERS FOR 24",28" AND 30" TYRES
1.89.9/ A		LATERAL STABILIZERS - BREAKDOWN
1.89.9/01		LATERAL STABILIZERS FOR 20" TYRES
1.89.9/01A		LATERAL STABILIZERS - COMPONENTS
1.89.9/02	01	HYDRAULIC STABILIZER FOR 20" TYRES (VAR.338945 / 743535)

---

## TABLE OF CONTENTS

---

1.89.9/02	02	HYDRAULIC STABILIZER FOR 20" TYRES - PIPES (VAR.338945 / 743535)
1.89.9/02A		STABILISERS - BREAKDOWN
1.89.9/03	01	HYDRAULIC STABILIZER FOR 24",28" AND 30" TYRES (VAR.339945 / 743535)
1.89.9/03	02	HYDRAULIC STABILIZER FOR 24",28" AND 30" TYRES - PIPES (VAR.339945 / 743535)
1.89.9/03A		HYDRAULIC STABILIZER - PARTS - COMPONENTS
1.90.5	01	TOOL BOX
1.90.5/01		TOOLS (VAR.332996)
1.90.7	01	FIRE EXTINGUISHER PREDISPOSITION AND EMERGENCY EXIT HAMMER - W/CAB
1.90.7	02	FIRE EXTINGUISHER SUPPORT - L/CAB
1.91.1	01	SWITCH AND RELATED PARTS
1.91.1	02	SWITCH AND RELATED PARTS - W/CAB
1.91.1/01		HYDRAULIC RIGHT LIFTING ROD - SWITCH AND RELATED PARTS (VAR.331965-332965-335965-336965-337965-338965-330966-331966-332966-333966-335966-336966 / 743536; VAR.331832-332832 / 743523)
1.91.1/02	01	FRONT HPL AND FRONT PTO - SWITCHES (VAR.334848-335848 / 743521)
1.91.1/02	02	FRONT HPL AND FRONT PTO - EXTERNAL SWITCHES (VAR.334848-335848 / 743521)
1.92.10	01	ACCELERATOR PEDAL
1.92.10	02	ACCELERATOR PEDAL, FLEXIBLE CONTROLS AND TRANSMISSION LEVER
1.92.11		ACCELERATOR CONTROL, CONTROL HAND LEVER - L/CAB
1.92.11/01		ACCELERATOR CONTROL, CONTROL HAND LEVER - W/CAB
1.92.260		CLUTCH PEDAL
1.92.260/01		POWER SHUTTLE - CLUTCH PEDAL (VAR.330275-331275 / 743510; VAR.330278-332278 / 743509)
1.92.265		POWER TAKE-OFF, CONTROL LEVER
1.92.29		TRANSMISSION EXTERNAL SHIFTING CONTROLS
1.92.29/01		16X16 HYDRAULIC TRANSMISSION WITH SYNCHRO GEARS AND POWER SHUTTLE - CONTROLS (VAR.330278-332278 / 743509)
1.92.29/02		32X16 HI-LO AND POWER SHUTTLE TRANSMISSION - CONTROLS (VAR.330275-331275 / 743510)
1.92.29/03		32X16 HI-LO AND POWER SHUTTLE TRANSMISSION W/POWER CLUTCH - CONTROLS (VAR.330273)
1.92.32		MAIN REDUCTION UNIT HAND LEVER AND RELEVANT PARTS
1.92.33		30KM/H BEVEL GEAR PAIR WITHOUT DIFFERENTIAL LOCK - DIFFERENTIAL LOCK CONTROL PEDAL (VAR.330146)
1.92.33/01		REAR MECHANICAL DIFFERENTIAL LOCK - PEDAL (VAR.330387-334387 / 743511)
1.92.34		REVERSER CONTROL LEVER
1.92.63/01	01	STEERING WHEEL
1.92.63/01	02	STEERING COLUMN
1.92.63/01	03	POWER STEERING PIPES
1.92.63/A		STEERING COLUMN - BREAKDOWN
1.92.67		BRAKE OPERATING
1.92.68	01	BRAKE PEDALS

---

**TABLE OF CONTENTS**

---

1.92.68	02	BRAKE PIPING
1.92.74	01	ELECTRIC CONTROLS
1.92.74	02	ELECTRIC CONTROLS
1.92.74/01		16X16 HYDRAULIC TRANSMISSION WITH SYNCHRO GEARS AND POWER SHUTTLE - CONTROLS (VAR.330278-332278 / 743509)
1.92.74/02		32X16 HI-LO AND POWER SHUTTLE TRANSMISSION - CONTROLS (VAR.330275-331275 / 743510; VAR.330273)
1.92.74/03		ELECTRONIC LIFT - ELECTRIC CONTROLS (VAR.331832-332832 / 743523)
1.92.74/03A		ELECTRONIC LIFT - ELECTRICAL SYSTEM CONTROLS,PARTS
1.92.74/04		7-PIN TRAILER CONNECTOR AND HORN (VAR.331745-332745)
1.92.75	01	INSTRUMENT CLUSTER AND ELECTRIC CONTROLS
1.92.75	02	LICENSE PLATE SUPPORT AND 7-PIN TRAILER CONNECTOR BRACKET - W/CAB
1.92.75/ A		ANALOGIC INSTRUMENT CLUSTER - BREAKDOWN
1.92.754	01	4WD MAIN HARNESS - W/CAB
1.92.754	02	AIR CONDITIONED CAB CABLE
1.92.754/01		2WD MAIN HARNESS - W/CAB
1.92.754/02		ELECTRONIC LIFT - 4WD MAIN HARNESS - W/CAB (VAR.336310)
1.92.754/03		MAIN HARNESS WITHOUT MECHANICAL BATTERY ISOLATOR - W/CAB (VAR.336308-337308-338308)
1.92.76		CAB - LIGHTING COMPONENTS
1.92.761		RADIO SET PREARRANGEMENT (VAR.336777)
1.92.762	01	ROTATING BEACON - W/CAB (VAR.331916)
1.92.762	02	ROTATING BEACON - L/CAB (VAR.331916)
1.92.762	03	ROTARY BEACON, FOLDABLE, CAB (VAR.336920)
1.92.82	01	HYDRAULIC LIFT OUTER CONTROLS
1.92.82	02	HYDRAULIC LIFT OUTER CONTROLS, "LIFT-O-MATIC" - L/CAB
1.92.82	03	HYDRAULIC LIFT OUTER CONTROLS, "LIFT-O-MATIC" - W/CAB
1.92.82/01		TWO CONTROL VALVES - LEVER CONTROL - L/CAB
1.92.82/02		TWO CONTROL VALVES - LEVER CONTROL - W/CAB
1.92.82/03	01	THREE CONTROL VALVES - LEVER CONTROL - L/CAB (VAR.330390 / 743525)
1.92.82/03	02	VAR - 330390, 743525, COVER, SUPPORT, W/O CAB
1.92.82/03	03	THREE CONTROL VALVES - LEVER CONTROL - W/CAB (VAR.330390 / 743525)
1.92.82/04		THREE CONTROL VALVES WITH ELECTRONIC LIFT - LEVER CONTROL. (VAR.335390 / 743525)
1.92.82/04		VAR. 332138, 335390, 743525, LEVER, EDC, W/ CAB
1.92.82/05	01	VAR. 330391, 333391, 743526, 331391, 743527, LEVER, MDC, W/ CAB
1.92.82/05	02	VAR. 330391, 333391, 743526, 331391, 743527, LEVER, MDC, W/ CAB
1.92.82/05	03	VAR - 330391, 333391, 743526, 331391, 743527, COVER, SUPPORT, W/O CAB
1.92.82/05	04	VAR. 330391, 332139, 332140, 331391, 332145, 743527, 333391, 743526, LEVER, MDC, W/ CAB

**Thanks very much for your reading,  
Want to get more information,  
Please click here, Then get the complete  
manual**

**JustClickHere** 

**NOTE:**

**If there is no response to click on the link above,  
please download the PDF document first, and then  
click on it.**

**Have any questions please write to me:  
[admin@servicemanualperfect.com](mailto:admin@servicemanualperfect.com)**